



## BLENDING STATION® ADVANCE®

### The Right Blend of Timing and Speed

The Blending Station Advance has been engineered for perfection including a noise-reducing cover for an improved customer experience.

### Smart Product Design

- Powerful  $\approx 3$  peak output HP motor for unmatched performance on the toughest blends in coffee, smoothie, and ice cream shops
- 93 speeds, variable speed control, and automatic shut-off provide the ultimate in blending flexibility for creating an endless number of recipes to expand your menu offering
- 34 optimised programmes engineered to provide consistent results quickly and easily
- Advance® container creates faster, smoother pouring and has a longer blade life resulting in time and cost savings along with improved customer experience



Creamy, blended coffee drinks



## Product Specifications

### Blending Station® Advance®

Item Number: On-Counter: 50029  
In-Counter: 51022

Motor: ≈3 peak output horsepower motor

Electrical: 220 – 240 V, 50/60 Hz, 1300 – 1550 W

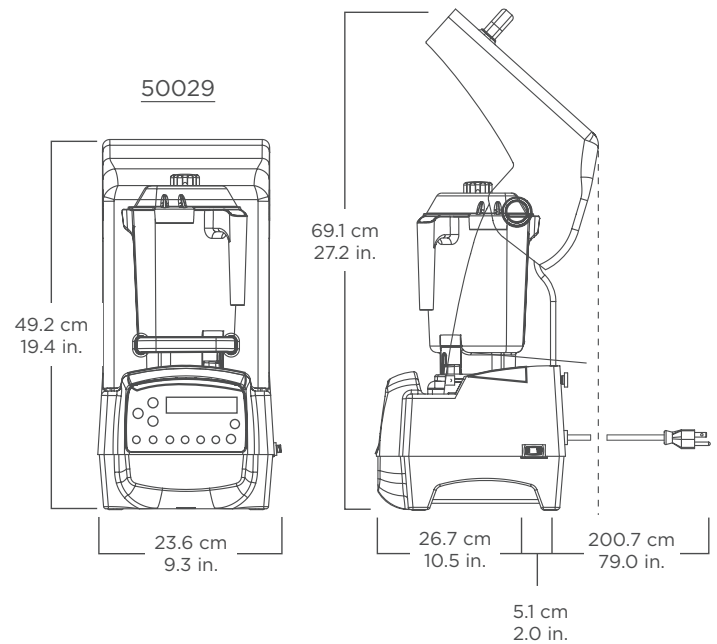
Pack: Includes Blending Station Advance with 1.4 L high-impact, clear/stackable Advance® container, complete with Advance blade assembly and lid, and removable compact cover.\*

Net Weight: 8.4 kg (10.0 kg with box)

Dimensions:  
On-Counter: 49.2 x 23.5 x 26.7 cm (H x W x D)  
Height with lid open: 69.1 cm  
In-Counter: 38.1 x 22.9 x 26.7 cm (H x W x D)  
Height with lid open: 57.2 cm  
Depth below counter: 14.4 cm

Warranty: Please contact your authorised Vitamix distributor for warranty information.

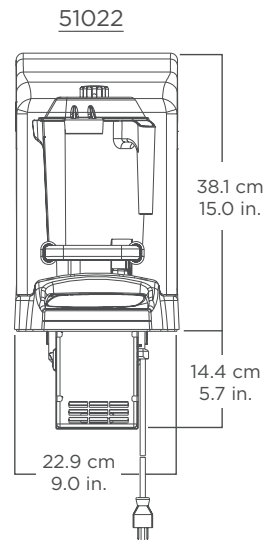
\*Standard 2.0 L container cannot be used with the compact cover.



### Also Available

Additional containers, complete with blade assembly and lid.

Item Number: 15978: Advance container 1.4 L  
15506: standard container 1.4 L  
15640: compact container 0.9 L



Where applicable:



## Contact Information

U.S.A., Canada & Latin America:

Phone: 800.4DRINK4 or  
800.437.4654

Email: [foodservice@vitamix.com](mailto:foodservice@vitamix.com)

[vitamix.co.uk](http://vitamix.co.uk)

Vita-Mix Corporation  
8615 Usher Road  
Cleveland, OH 44138-2103 U.S.A.

For UK sales or more information, contact  
your local UK foodservice distributor:

Jestic Foodservice Equipment  
Phone: +44 (0) 8455.048050  
Email: [info@jestic.net](mailto:info@jestic.net)

[www.jestic.co.uk](http://www.jestic.co.uk)