



## T&G® 2 BLENDING STATION®

### Powerful, Noise-Reduced Blending

The T&G 2 offers reduced sound and blending time. It quickly and easily creates smoothies, frappés, ice cream drinks and frozen cocktails.

### Smart Product Design

- ≈2 peak output HP motor and sound-reducing cover for superior performance in coffee, smoothie, and ice cream shops
- 34 optimised programmes engineered to provide consistent results quickly and easily
- Advance® container creates faster, smoother pouring and has a longer blade life resulting in time and cost savings along with improved customer experience



Creamy, blended coffee drinks

## Product Specifications

### T&G® 2 Blending Station®

Item Number: On-Counter: 42009  
In-Counter: 44004

Motor: ≈2 peak output horsepower motor

Electrical: 220 – 240 V, 50/60 Hz, 1075 – 1200 W

Pack: Includes T&G 2 with 0.9 L high-impact, clear/stackable Advance® container, complete with Advance blade assembly and lid, and removable compact cover.\*

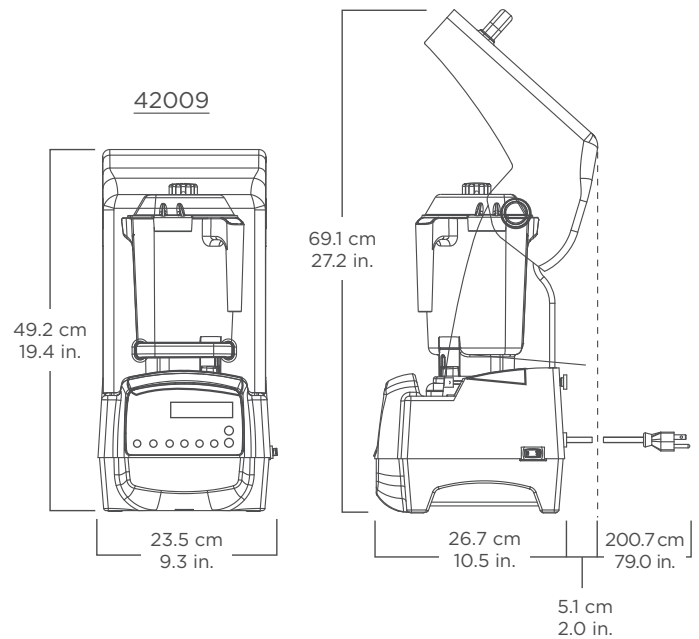
Net Weight: 8.4 kg (9.5 kg with box)

Dimensions:  
On-Counter: 49.2 x 23.5 x 26.7 cm (H x W x D)  
Height with lid open: 69.1 cm

In-Counter: 38.1 x 22.9 x 26.7 cm (H x W x D)  
Height with lid open: 57.2 cm  
Depth below counter: 14.4 cm

Warranty: Please contact your authorised Vitamix distributor for warranty information.

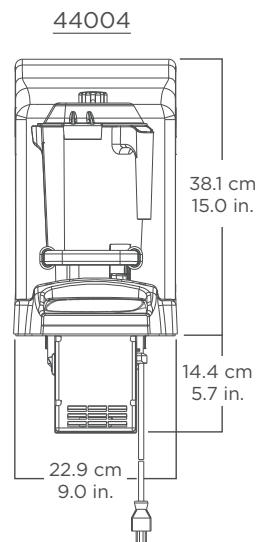
\* Standard 2.0 L container cannot be used with the compact cover.



### Also Available

Additional containers, complete with blade assembly and lid.

Item Number: 15981: Advance container 0.9 L  
15506: standard container 1.4 L  
15640: compact container 0.9 L



Where applicable:



## Contact Information

U.S.A., Canada & Latin America:  
Phone: 800.4DRINK4 or 800.437.4654  
Email: [foodservice@vitamix.com](mailto:foodservice@vitamix.com)  
  
[vitamix.co.uk](http://vitamix.co.uk)

Vita-Mix Corporation  
8615 Usher Road  
Cleveland, OH 44138-2103 U.S.A.

For UK sales or more information, contact your local UK foodservice distributor:

Jestic Foodservice Equipment  
Phone: +44 (0) 8455.048050  
Email: [info@jestic.net](mailto:info@jestic.net)

[www.jestic.co.uk](http://www.jestic.co.uk)