



VITAMIX XL® VARIABLE SPEED

Serve More With A Single Blend

Maximise your kitchen's possibilities with the largest capacity, countertop blender. Blend up to 24 (240 ml) servings at once! The XL is engineered to reduce prep-time, improve staff efficiency, and expand your menu capabilities.

Smart Product Design

- Powerful 4.2 peak output HP motor allows heavy blending from delicate tomatoes to dense meat
- Large 5.6 L container provides extra blending capacity for both hot and cold ingredients
- Pulse function and variable speed control allow for flexibility and creativity
- Low countertop profile and removable lid plug make it easy to add ingredients while blending



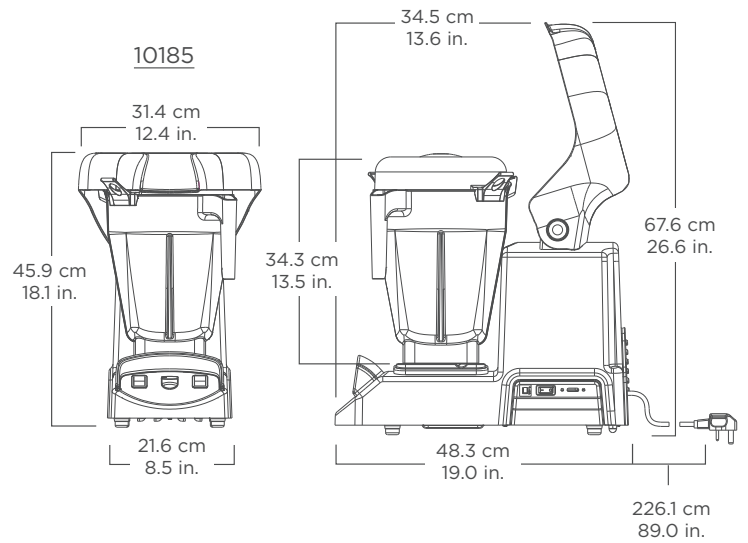
Blend hot and cold ingredients

Product Specifications

Vitamix XL® Variable Speed

Item Number: 10185
 Motor: ≈4.2 peak output horsepower motor
 Electrical: 220 - 240 V, 50/60 Hz, 7.5 A
 Pack: Includes Vitamix XL with interlock, accelerator tool, and 2 containers (5.6 liters and 2.0 liters) complete with blade assembly and lid.
 Net Weight: 22.7 kg
 Dimensions: 45.9 x 21.6 x 48.3 cm (H x W x D)

Warranty: Please contact your authorised Vitamix distributor for warranty information.

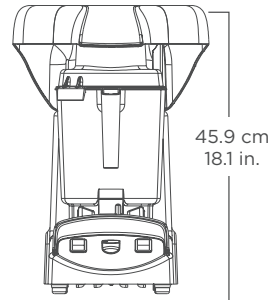


Included

2.0 L container

Accelerator tool

XL with 2.0 L container



Also Available

Additional containers, complete with blade assembly and lid.

Item Number: 15899: Vitamix XL container 5.6 L
 15894: Vitamix XL container 2.0 L

Where applicable:



Contact Information

U.S.A., Canada & Latin America:
 Phone: 800.4DRINK4 or 800.437.4654
 Email: foodservice@vitamix.com
vitamix.co.uk

Vita-Mix Corporation
 8615 Usher Road
 Cleveland, OH 44138-2103 U.S.A.

For UK sales or more information, contact your local UK foodservice distributor:

Jestic Foodservice Equipment
 Phone: +44 (0) 8455.048050
 Email: info@jestic.net

www.jestic.co.uk