



# Solair

air purifier

user manual

duux®

# Thank you for choosing Duux.

We're so glad you decided to read the instructions to your new Duux air purifier! Many users casually dismiss instructions and seek to figure it out on their own. But studies show that people who read instructions will get up to speed more quickly and efficiently than those who poke around with trial and error.

At Duux we believe in the importance of a comfortable and healthy living environment. Enhancing your well-being by designing appealing, functional and effective products is the passion that drives us every day. With our range of innovative air treatment products we aim to provide you the best possible indoor air quality.

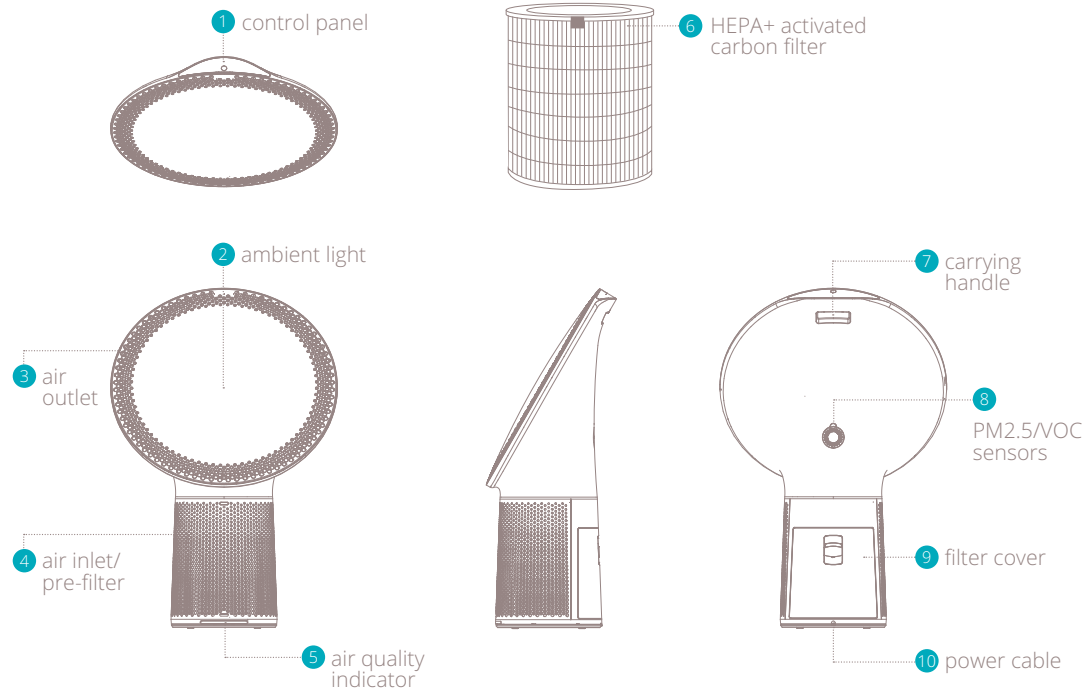
With Solair we have re-defined the shape of an air purifier. This multi-purpose air purifier not only provides you with clean and purified air, but also doubles as a multi-color ambient light. Combining these functions will save valuable space, which is an important asset in many living rooms. Equipped with all the modern day features, this air purifier is a piece of art in your living room that needs no hiding. Solair can be controlled in style with intuitive touch keys and a sleek, ergonomic remote control. The triple layer filter removes 99,97% of all airborne pollutants such as dust, pollen, PM2.5, smoke and chemicals up to 0.3 microns in size.

Read this manual carefully to get the most out of your Solair air purifier.

## Table of contents

1. Product overview	4
2. Installation & use	5
3. Functions	6
4. Maintenance	9
5. Technical specifications	12
6. FAQ	14

# 1. Product overview



# 2. Installation and use

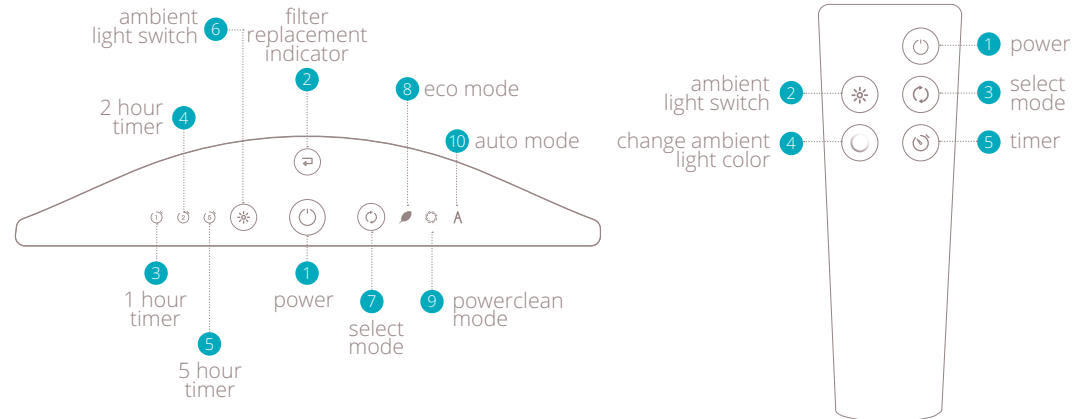
## Placing the unit

- 1 Make sure that the device is placed on a flat or stable surface to prevent tumbling.
- 2 Keep at least 30cm space around the unit for efficient operation
- 3 Do not place the unit outdoor.

## Installation

- 1 Plug the power cable in a power outlet.
- 2 The power icon on the control panel will turn red
- 3 Press the power icon to turn on the device

## Control panel and remote control



# 3. Functions

## Control panel

- Power** – Press to switch on the air purifier (status red=power off, status blue=power on)
- Mode** – Press to select air purifying mode (status blue=eco, powerclean or auto)
- Ambient light** – Press to activate ambient light / press and hold to change light intensity (status blue=ambient light on)
- Filter replacement indicator** – Press and hold 5 seconds to reset filter (status blue=100-60% filter life remaining, status yellow=60-20% filter life remaining, status red=20-0% filter life remaining, status red (flash)= ≤10-0%)

## Remote control

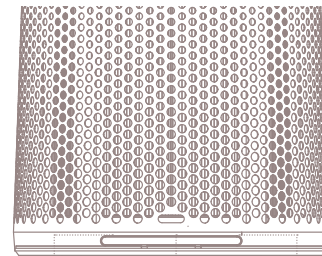
- Power** – Press to switch on the purifier (see control panel for indicator status)
- Mode** – Press to select air purifying mode (see control panel for indicator status)
- Ambient light** – Press to activate ambient light / press and hold to change light intensity (see control panel for indicator status)
- Change ambient light color** – press to rotate pre-set colors / hold to browse colors / release to set color.

**Note:** this button is only enabled when ambient light is activated

- Timer** – Press to set timer (status blue=1, 2 or 5 hours)

## Air quality indication

**Note:** The air quality indicator LED strip only activates when AUTO mode is selected as purifying mode. Speed will be adjusted according to the air quality (low, medium, high).



- 1 Status green = excellent air quality
- 2 Status yellow = average air quality
- 3 Status red = bad air quality

## Filter

The Solar air purifier comes with a pre-installed HEPA + activated carbon filter behind the metal pre-filter.

The pre-filter removes large particles.



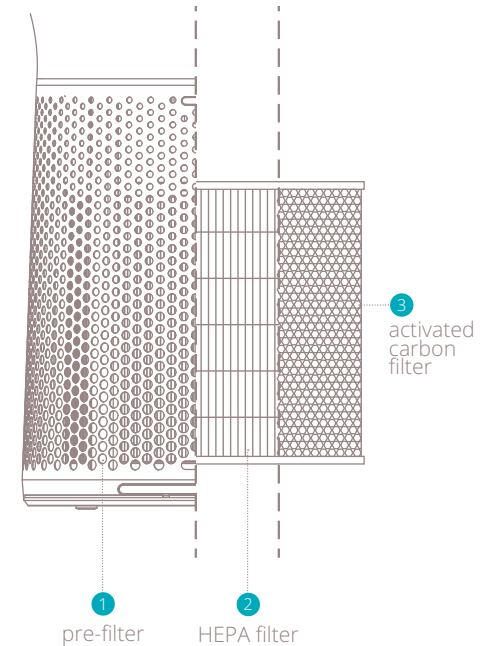
The HEPA filter cleans the air from smaller particles.



The activated carbon filter removes harmful gases and toxics such as smoke, chemicals, VOC's and bacteria's.



**Important:** only use genuine Duux replacement filters for optimal efficiency, proper functioning and full warranty coverage.



A unique  
piece of  
effective  
art.

## 4. Maintenance

ⓘ **Important:** Always disconnect the device before cleaning, filter replacement and/or maintenance.

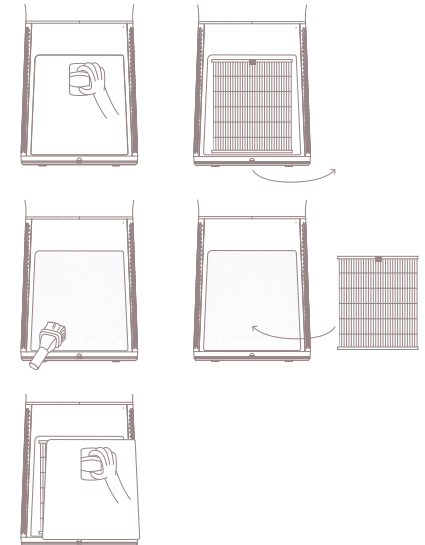
### Cleaning

- 1 Only clean the device with a dry or dampened cloth; do not use chemical cleaners.
- 2 Carefully vacuum around the front of the pre-filter with a soft brush attachment.
- 3 Make sure the device is dry before reconnecting the power plug.

### Filter replacement

Depending on the usage and air quality we advise to change the filter every 4 to 6 months. By opening the filter cover, the device will automatically turn off.

- 1 Open the filter cover on the back side of the device by pressing down the handle;
- 2 Take out the filter by pulling the attached label at the top;
- 3 Carefully vacuum the inside of the unit with a soft brush attachment;
- 4 Place the replacement filter back in the unit;
- 5 Close the filter cover;



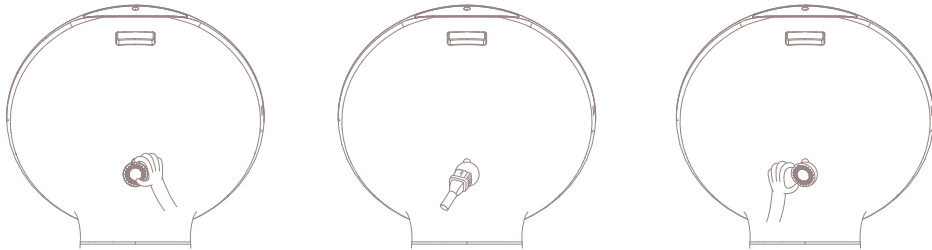
- Press and hold the filter replacement icon for 5 seconds to reset the filter (see section 3. Functions)

⚠ **Important:** do not wash or vacuum the filter as this will destroy the fibers.



## Sensor cover

- Unlock the sensor cover by using the opening on the top of the cover;
- Carefully vacuum the inside surface with a soft brush attachment;
- Place back the sensor cover;

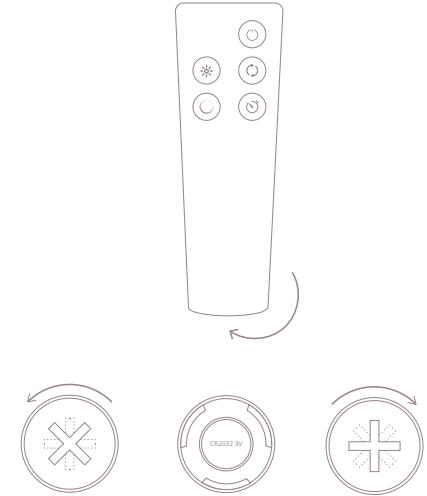


## Replace remote control battery

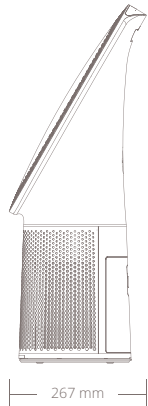
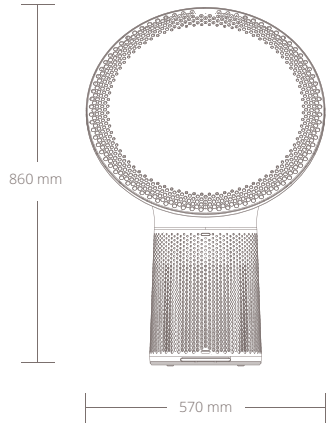
- Open the battery cover by twisting the bottom lid to the left;
- Replace the lithium cell battery (type: CR2032 3V);
- Close the battery cover by twisting the bottom lid to the right.

## Spare parts

Spare parts and accessories can be requested at the point of purchase or local distributor.



## 5. Technical specifications



Weight:  
7,5 kg



Power consumption:  
13-54w



Noise level:  
40-62dBa



CADR\*:  
270m<sup>3</sup>/hr



Effective area\*\*:  
up to 40m<sup>2</sup>



Air flow:  
160 CFM



Filtration rate:  
up to 99,97%



Filter:  
Pre-, HEPA and activated carbon



Air quality sensors:  
PM2.5 and VOC



Ambient light colors:  
16.7 million

\* = The CADR indicates how much filtered air is delivered (airflow) by the air purifier operating at the highest setting, and how well the system removes tobacco smoke, dust and pollen pollutants from the air (efficiency). CADR is expressed in the amount of cubical meters cleaned per hour while CFM is measured in cubical meters of air cleaned per minute.

\*\* = The effective area is determined based on 3-5 ACH (air changes per hour).

## 6. FAQ

**Q. The device is plugged in but the display doesn't light up. What can I do?**

- A. Please check if the filter cover is closed properly. There is a safety sensor inside the cover that doesn't allow the device to run when the cover is open.

**Q. The device is on but the air quality indication bar is not showing any color. What can I do?**

- A. Please switch mode to Auto in order to activate the air quality indication bar.

**Q. I'm not able to activate the time from the control panel. What can I do?**

- A. The timer icons on the control panel are only indicators, not touch buttons. Please activate the timer by using the remote control.

**Q. Am I able to wash and reuse the filter?**

- A. HEPA filters are made out of loosely and randomly interlaced fibers that are not built to stand up to any stress. Washing a the filter will destroy it in most cases. Even when the filter seems to still be intact to the naked eye, its structure has been rendered useless.

**Q. Can I use this air purifier in a room beyond the effective area?**

- A. In theory this purifier can clean up to approx. 112m<sup>2</sup>. However, this is based on a single air change per hour (ACH). For indoor living environments, the recommended amount of ACH is 3 to 5 times.

**Q. What is the effective area per ACH?**

- A. 1 ACH = 112m<sup>2</sup>; 2 ACH = 55m<sup>2</sup>; 3 ACH = 38m<sup>2</sup>; 4 ACH = 28m<sup>2</sup>; 5 ACH = 23m<sup>2</sup>

**Q. Why is the device not responding to the remote control?**

- A. The remote control is designed to cover a distance of 5 meters. Please move closer to the device. If issue remains, please replace the battery or contact your point of purchase.

**Q. Does this air purifier has a built-in ionizer?**

- A. Yes. It releases negative ions into outgoing filtered air. Ions are tiny particles that carry a positive or negative charge. These ions exist naturally around us, in the air, water and ground. Both positive and negative ions are colorless, odorless and harmless. Negative ions help the air purification process by attaching

themselves to very small airborne particles in the room.

**Q. How long should I run the air purifier?**

- A. In general it is recommended that you run your air purifier when you are at home to clean the air. The unit may be run 24/7 if preferred. This air purifier will be more effective when windows and doors are closed.

**Q. What does PM2.5 mean?**

- A. PM 2.5 is a microscopic solid particle with a diameter of less than 2.5 micrometer. Presence of these particles in large numbers is a serious concern for people's health. These particles are so tiny that they can directly invade into the lungs and cause cancer.

**Q. What does HEPA stand for?**

- A. HEPA is an acronym of High Efficient Particulate Air. To qualify as true HEPA by government standards, an air filter must remove 99.97% of all particles greater than 0.3 micrometer from the air that passes through. (Particles smaller than 0.3 microns are still trapped by HEPA filters but effectiveness is reduced to less than 99.97%.)



Designed in The Netherlands bij Duux International BV. Made in P.R.C.  
Duux International BV, P.O. Box 145, 5400 AC Uden Netherlands, [www.duux.com](http://www.duux.com)

© 2016 Duux. All rights reserved.  
DUUX® is a trademark of Duux International BV,  
registered in the EU and other countries.  
The brand cited belongs exclusively to the respective owners.

Specifications are subject to modification without notice.

**duux**®